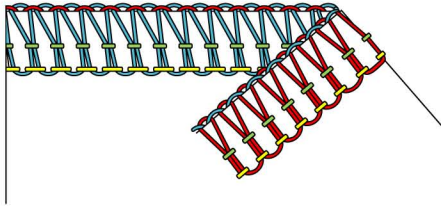


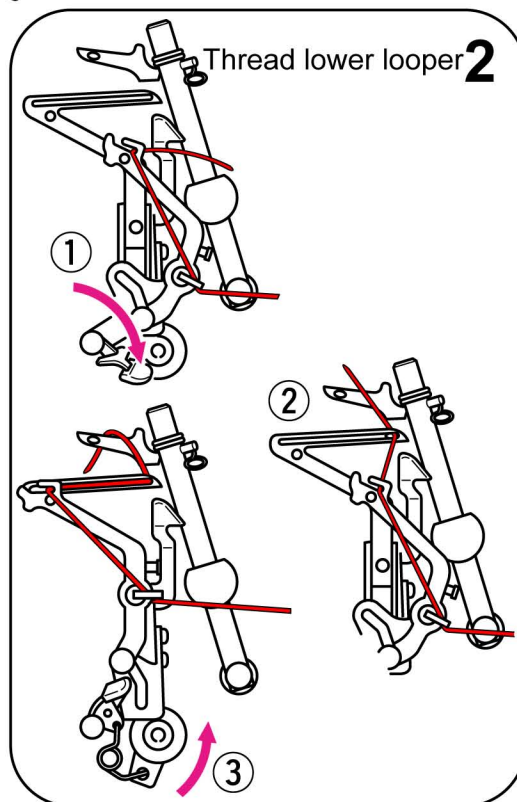
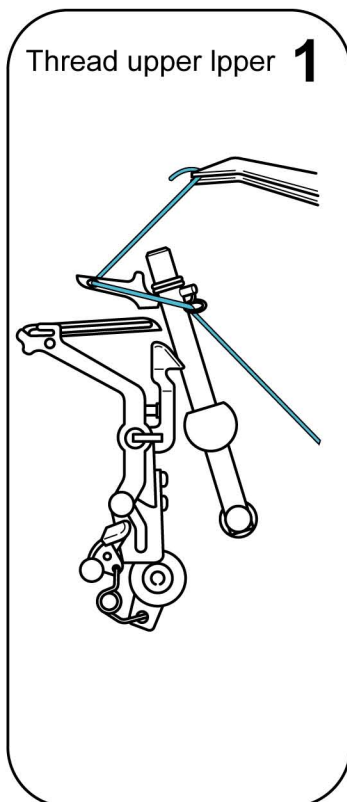
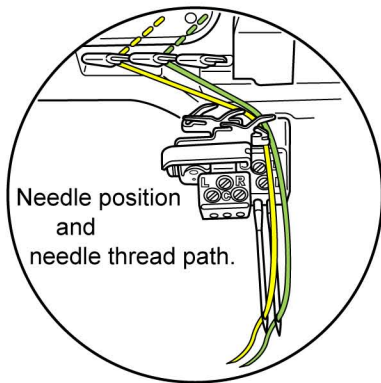
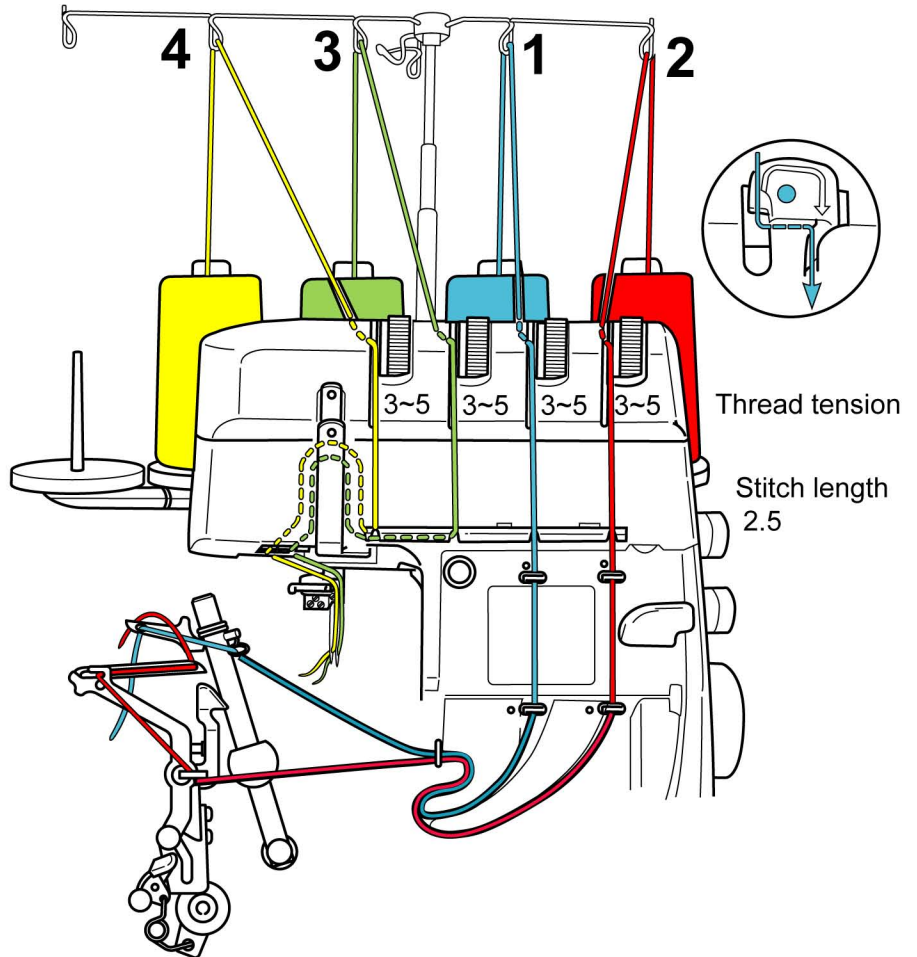
Threading Chart of 2-needle, 4-thread overlock sewing



【Threading preparations】

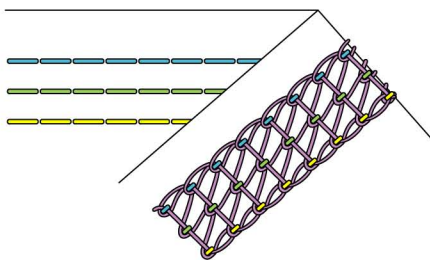
- ① Push Upper looper release lever to active upper looper.
 - ② Lower the upper knife.
 - ③ Clip the waste collector into the opening on the looper cover.
- ※For more details, please refer to Instruction Manual.

Please thread in numerical order 1~4.



Treading Chart

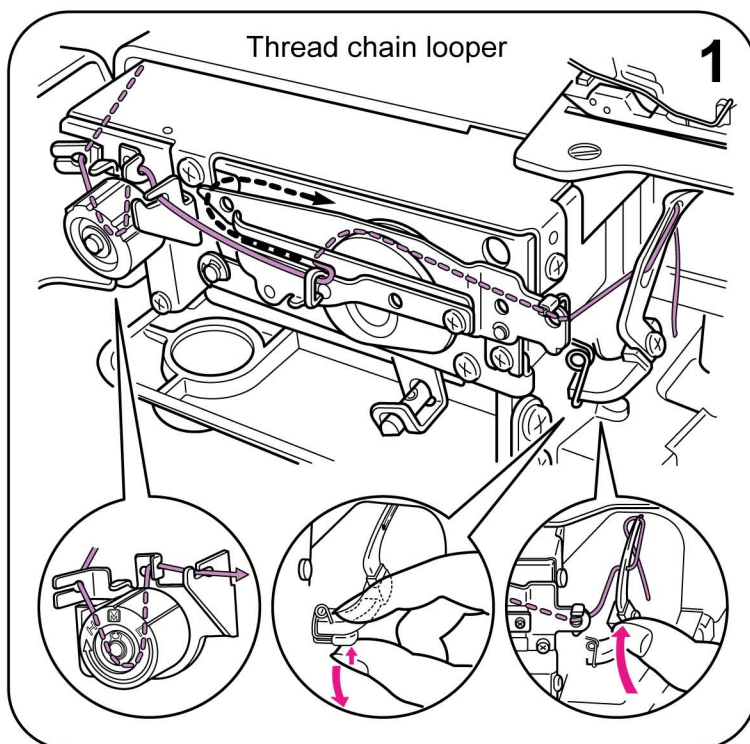
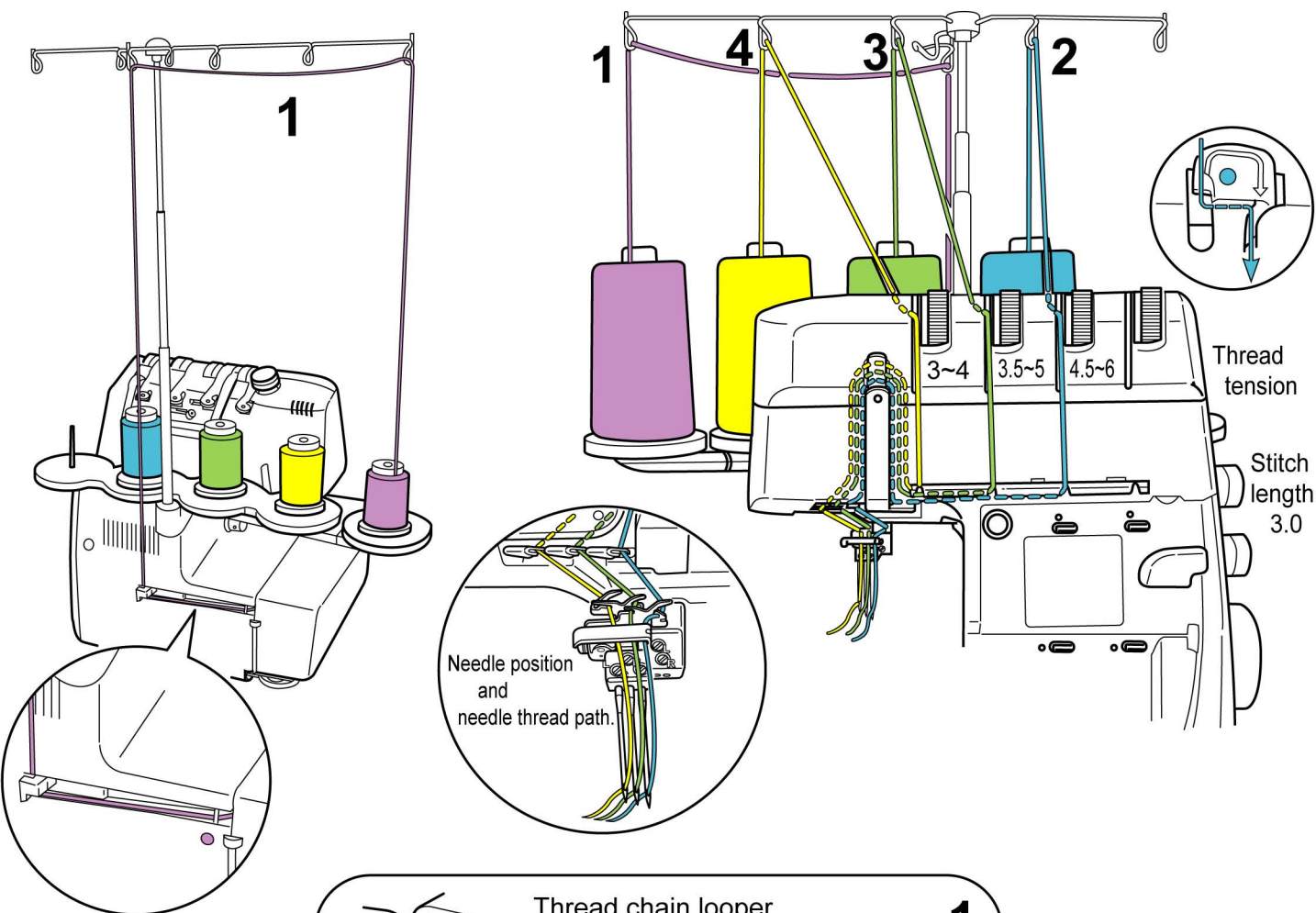
3-needle, 4-thread cover stitch



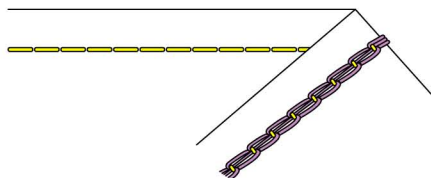
【Threading preparations】

- ① Pull Upper looper release lever to deactivate upper looper.
 - ② Raise the upper knife.
 - ③ Attach the cover and chain stitch extension plate.
- ※ For more details, please refer to Instruction Manual.

Please thread in numerical order 1~4.



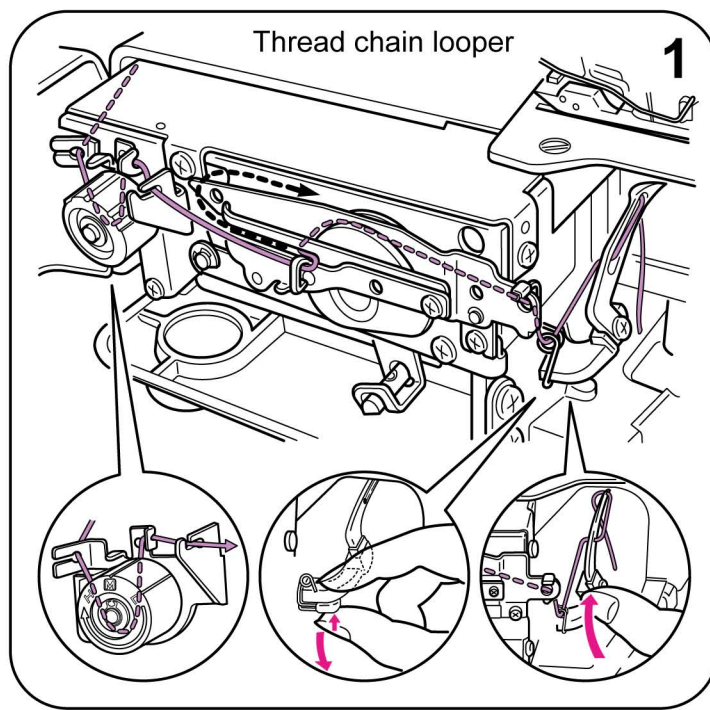
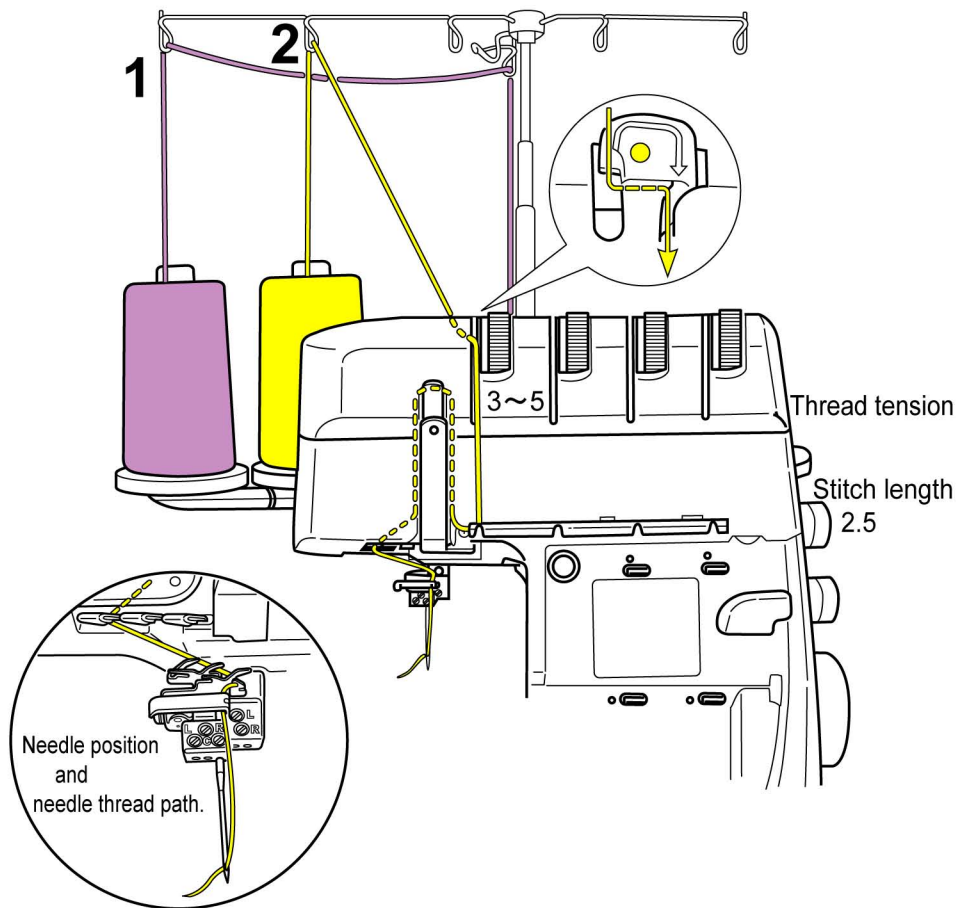
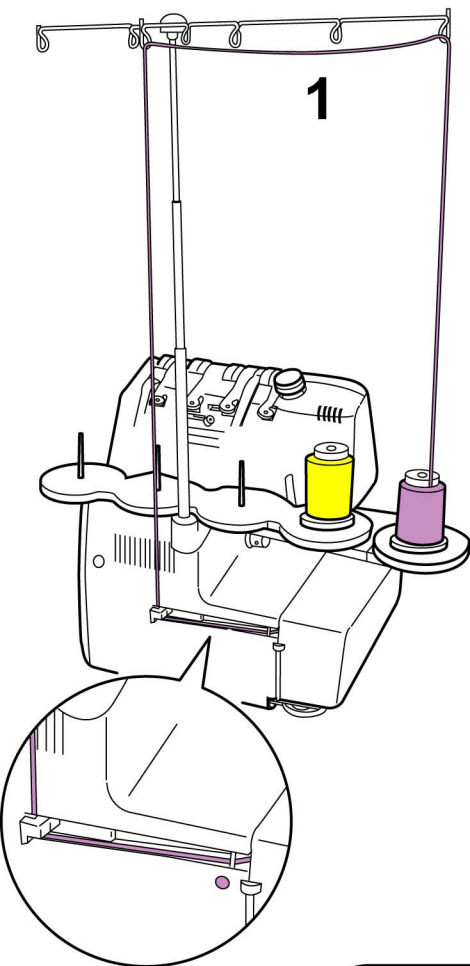
Threading Chart of Chain Stitch



【Threading preparations】

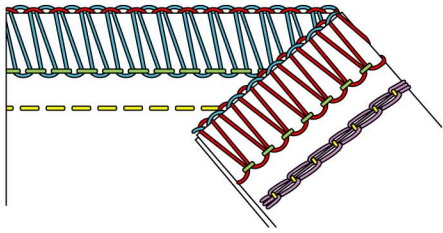
- ① Pull Upper looper release lever to deactivate upper looper.
 - ② Raise the upper knife.
 - ③ Attach the cover and chain stitch extension plate.
- ※For more details, please refer to Instruction Manual.

Please thread in numerical order 1~2.



Threading Chart of Interlock

(1-needle, 3-thread overlock and chain stitch)



Please thread in numerical order 1~5.

【Threading preparations】

- ① Push Upper looper release lever to active upper looper.
 - ② Lower the upper knife.
 - ③ Clip the waste collector into the opening on the looper cover.
- ※For more details, please refer to Instruction Manual.

